

Product Specifications

Product name : Flood Light SLIM-ECO COB

Version No. 1.0

SLIM-ECO COB Series FLOOD LIGHT 70 - 120W



C/Balmes, N^o 44
Les Masies de Voltregà 08508
Barcelona, Spain
Tel. +34 938502896
Comercial : comercial@tltled.com
SAT: sat@tltled.com
www.tltled.com

MODELO	 TLT-BR-FL70W-07	 TLT-BR-FL10W-07	 TLT-BR-FL100W-07	 TLT-BR-FL120W-07
--------	--	--	---	---

General Features								
Item	Power	Input Voltage	Input Frequency	leds	Power Factor	LuminousFlux	Beam Angle	Weight
TLT-BR-FL70W-07	70W	AC100-240V	50/60HZ	COB	>0.9	5600 Lm	120°	4.1 kg
TLT-BR-FL10W-07	80W	AC100-240V	50/60HZ	COB	>0.9	6400 Lm	120°	4.1 kg
TLT-BR-FL100W-07	100W	AC100-240V	50/60HZ	COB	>0.9	8000 Lm	120°	5.6 kg
TLT-BR-FL120W-07	120W	AC100-240V	50/60HZ	COB	>0.9	9600 Lm	120°	5.6 kg

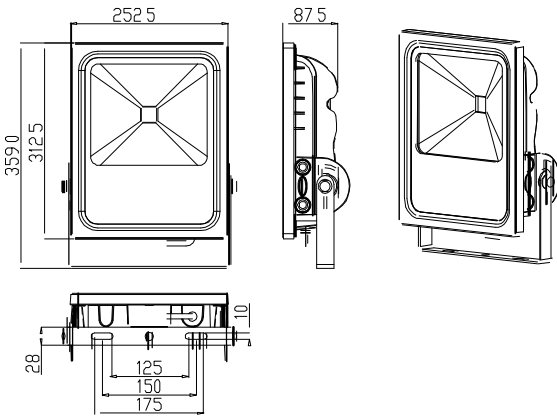
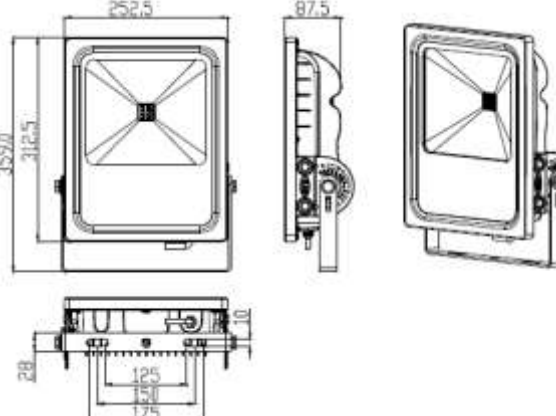
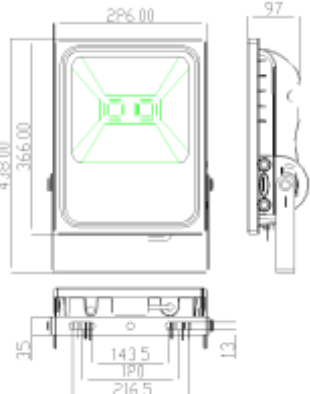
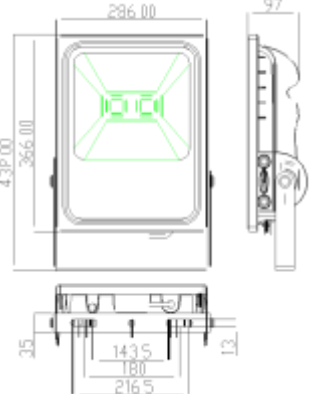
Light Source Spec	
LED Type	Epistar
Color Accuracy(CRI)	CRI>70
Color	WW(3000-3500K) NW (4000-4500K) CW(5000-6500K)

Environment Spec.	
Operational Temperature Range	-20~50 °C
Preservation Temperature Range	-40~60 °C
Operational Humidity Range	95% Rh or below(@-20°C~50°C)
Installation Area	Outdoor:IP65(Roadway, Pathway, Sidewalk,etc)
Lifespan	3 Years

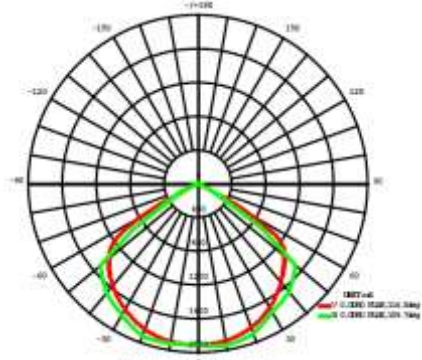
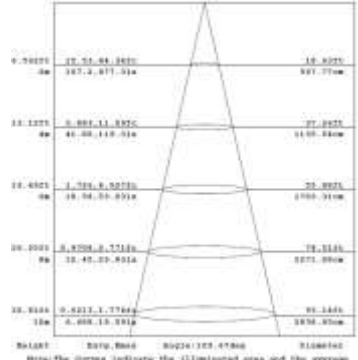
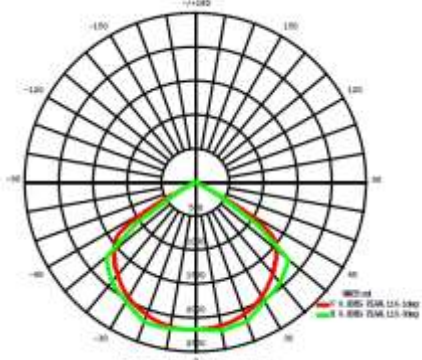
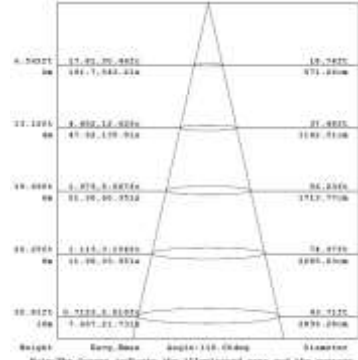
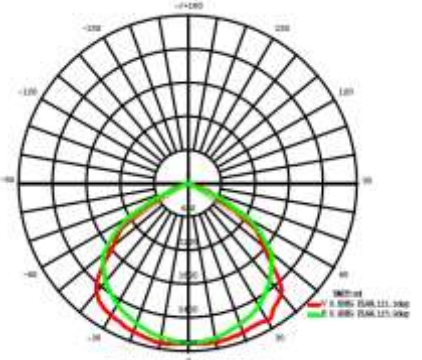
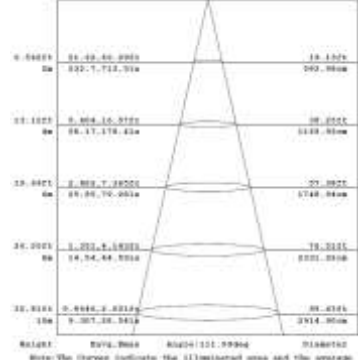
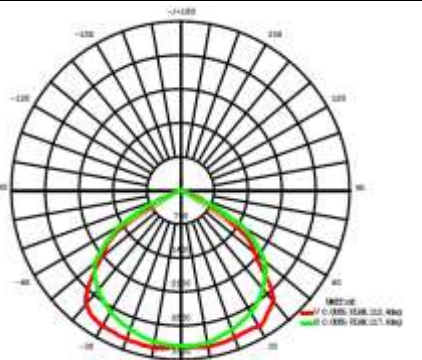
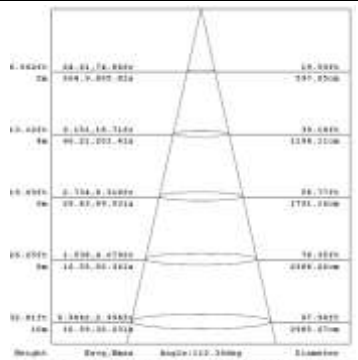
Certification standard



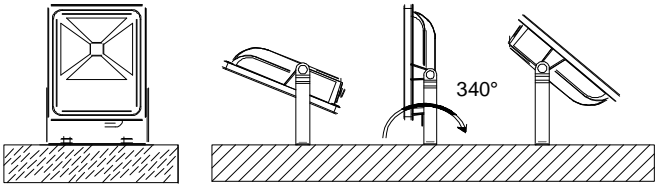
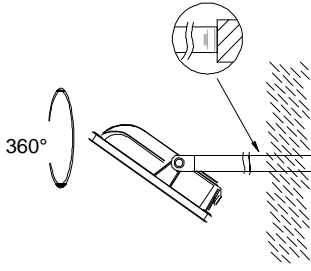
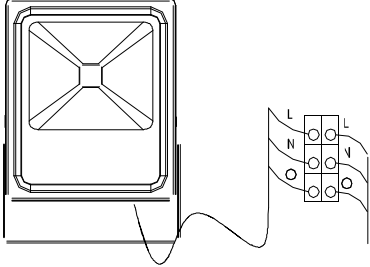
Dimension Diagram

<p>BR-FL70W-07(ID:TA)</p> 	<p>BR-FL80W-07(ID:TA)</p> 
<p>BR-FL100W-07(ID:TA)</p> 	<p>BR-FL120W-07(ID:TA)</p> 

Optical Spec

<p>70W</p>	<p style="text-align: center;">Radiation</p>  <p style="text-align: center;">AVERAGE BEAM ANGLE (DEG) : 122.9 DEG</p>	<p style="text-align: center;">Lux Diagram</p>  <p style="text-align: center;">Height: 0.000m Base: 100.000m Diameter: 0.000m</p> <p style="text-align: center;">Note: The curves indicate the illuminated area and the average illumination when the luminaires is at different distance.</p>
<p>80W</p>	<p style="text-align: center;">Radiation</p>  <p style="text-align: center;">AVERAGE BEAM ANGLE (DEG) : 125.1 DEG</p>	<p style="text-align: center;">Lux Diagram</p>  <p style="text-align: center;">Height: 0.000m Base: 100.000m Diameter: 0.000m</p> <p style="text-align: center;">Note: The curves indicate the illuminated area and the average illumination when the luminaires is at different distance.</p>
<p>100W</p>	<p style="text-align: center;">Radiation</p>  <p style="text-align: center;">AVERAGE BEAM ANGLE (DEG) : 123.1 DEG</p>	<p style="text-align: center;">Lux Diagram</p>  <p style="text-align: center;">Height: 0.000m Base: 100.000m Diameter: 0.000m</p> <p style="text-align: center;">Note: The curves indicate the illuminated area and the average illumination when the luminaires is at different distance.</p>
<p>120W</p>	<p style="text-align: center;">Radiation</p>  <p style="text-align: center;">AVERAGE BEAM ANGLE (DEG) : 125.0 DEG</p>	<p style="text-align: center;">Lux Diagram</p>  <p style="text-align: center;">Height: 0.000m Base: 100.000m Diameter: 0.000m</p> <p style="text-align: center;">Note: The curves indicate the illuminated area and the average illumination when the luminaires is at different distance.</p>

Installation and use

<p>1.First,adjust the angle you need,finally fasten the floodlights with screws</p>	<p>2.Install the LED Floodlight onto the wall or ground,punch hole on the wall orground,prepare the expansion screw,and then fasten the floodlight</p>
	
<p>3.Connect the power wire from the Main line to the power wire of the lamp,and then make treatment for water resistance. Pls note that the Brown color wire is Live wire,Blue wire is Null line,the yellow and green wire is Earth line.</p>	<p>4.Turn on the power supply to ensuer the light is working,Installed.</p>
	

Attention

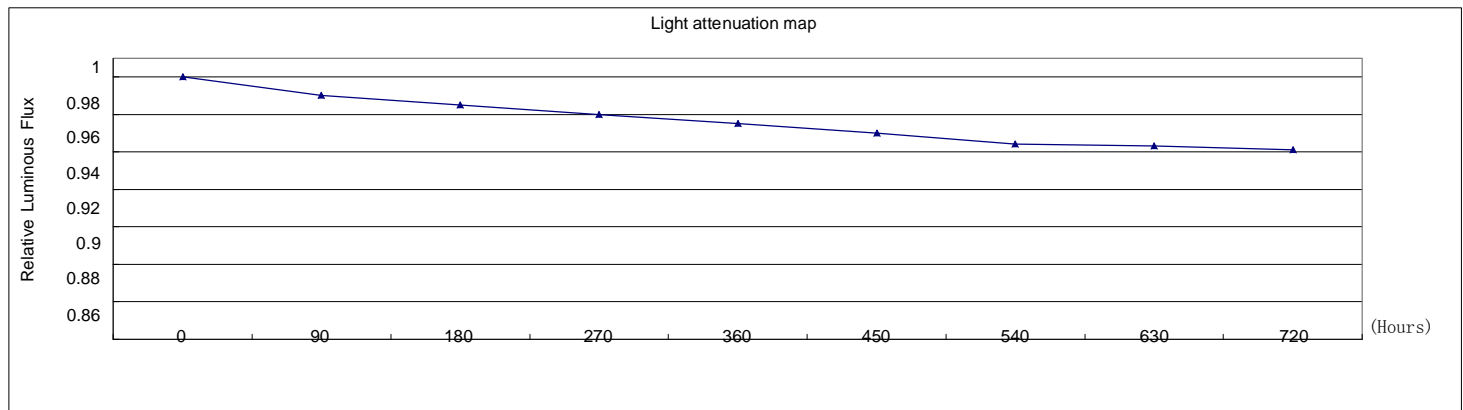
- 1.Please turn off the power supply before installation or changing assembly parts.
- 2.The input voltage and the lamp should be adapted. After connecting the power line, please make sure the wiring section is insulated.
- 3.Non-professionals, must not install or dismantle the lamps.
- 4.All the floodlights during installation and in use should not be put with glass cover vertically upside.

Packing Spec

Item	Box			Carton		
	Measurement (mm)	Gross weight	Pcs/box	Measurement(mm)	Gross weight	Pcs/carton
BR-FL70W-07(ID:TA)	L335*W290*H135	4.25 kg	1	L 610*W355*H300	18.4 kg	4
BR-FL80W-07(ID:TA)	L335*W290*H135	4.25 kg	1	L 610*W355*H300	18.4 kg	4
BR-FL100W-07(ID:TA)	L385*W320*H140	5.8 kg	1	L405*W340*H310	12.95 kg	2
BR-FL120W-07(ID:TA)	L385*W320*H140	5.8 kg	1	L405*W340*H310	12.95 kg	2

Remarks:

- 1.White light series: WW (3000-3500K) NW (4000-4500K) CW (5000-6500K)
- 2.Luminous flux tolerance for $\pm 10\%$
- 3.Products shall be subject to any changes without prior notices.



Through the 720H accelerated aging test,high and low temperature prediction in the rated under the working conditions after 35000H,will provide an average 70% optic maintenance ratio(L70).